

DOMINAIRE II WA SERIES 232

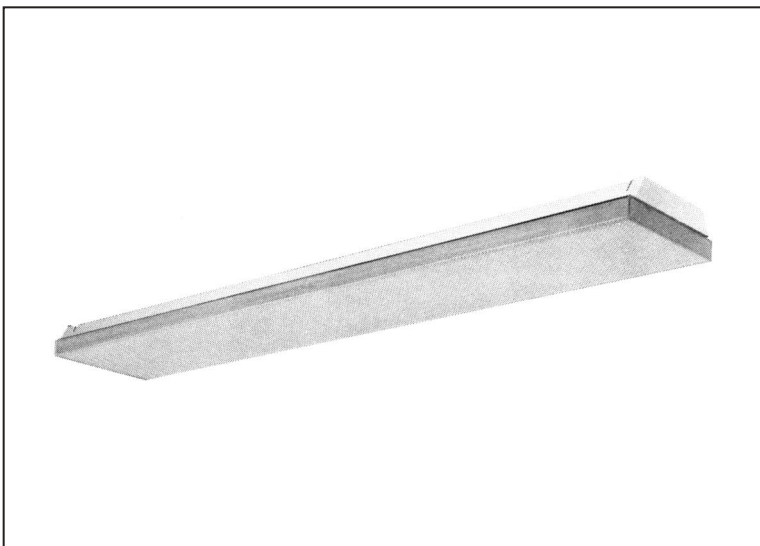
Page 1 of 2

SURFACE WRAPAROUND FLUORESCENT, 9" WIDE x 2 5/8" DEEP x 48" OR 96" LENGTHS

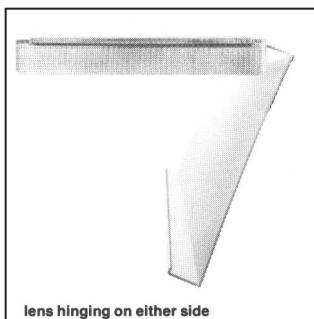
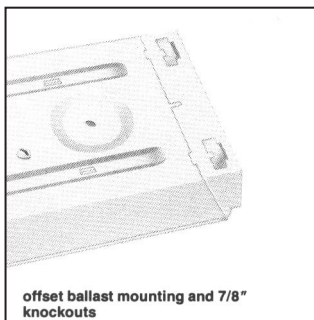
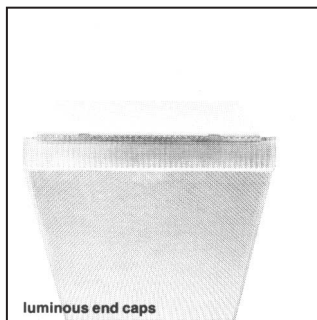
2 LAMP, T8 OR T12

Features

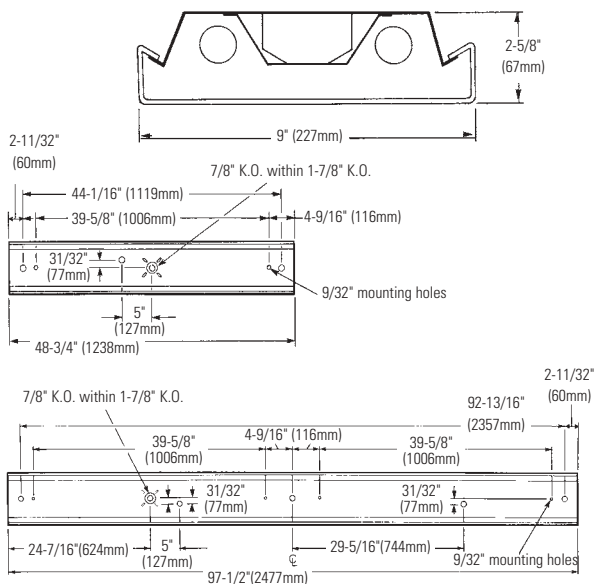
- Step back housing for an apparent depth of 1 1/2".
- Completely assembled with setup ends to lamp holders.
- Only 3" total depth.
- Prismatic virgin acrylic lens – 9" wide.
- Efficiency 70.9%.
- Luminous catadioptric end caps.
- Two side self-leveling lens hinging.
- Zip-clip flush mount on T-grid ceilings.
- Off center 7/8" K.O. for flush mount to T-grid ceiling.
- Optional UL-Listed low density mounting spacers.



Features



Dimensions



Job Information

Type:

Job Name:

Cat. No.:

Lamp(s):

Volts/Ballast:

Lightolier a Genlyte Thomas Company

www.lightolier.com

Technical Information: (978) 657-7600 • Fax (978) 658-0595

631 Airport Road, Fall River, MA 02720 • (508) 679-8131 • Fax (508) 674-4710

We reserve the right to change details of design, materials and finish.

© 2002 Genlyte Thomas Group LLC (Lightolier Division)

A0902

Section 3A/Folio H90-12 Rev. B

LIGHTOLIER

DOMINAIRE II WA SERIES 232

Page 2 of 2 SURFACE WRAPAROUND FLUORESCENT, 9" WIDE x 2 5/8" DEEP x 48" OR 96" LENGTHS
2 LAMP, T8 OR T12

Photometry Model No. WA4A232120SO

LER = FS - 56.5 Watts - 63.0 BF - 0.88
Comparative yearly lighting energy cost per 1000 lumens = \$4.25

ifl boulder
INDEPENDENT TESTING LABORATORIES, INC. • 3386 LONGHORN ROAD, BOULDER, COLORADO 80302 • PHONE (303) 442-1255
REPORT NUMBER: ITL32029 DATE: 5-23-86
PREPARED FOR: IERNE
CATALOG NUMBER: WA4A232120SO
LUMINAIRE: METAL HOUSING WITH SYNTHETIC ENAMEL REFLECTOR, CLEAR PRISMATIC WRAPAROUND ENCLOSURE.
BALLAST: ADVANCE CAT. NO. REL938-SC
LAMPS: TWO F32 T8, EACH RATED 2860 LUMENS
MOUNTING: SURFACE/PENDANT
TOTAL INPUT WATTS = 56.5 AT 120.0 VOLTS
LUMEN TO KANDOLA RATIO USED = 9.15
THE 0 DEGREE PLANE IS PARALLEL WITH THE LAMPS.

CANDELA DISTRIBUTION	FLUX
0 0	22.5 45.0 67.5 90.0
0 1616	1616 1616 1616 1616
5 1617	1619 1614 1613 1614
15 1566	1558 1575 1582 1556
25 1450	1462 1482 1495 1501
35 1274	1297 1321 1330 1332
45 979	1017 1043 1044 1039
55 546	624 659 669 654
65 287	328 374 371 355
75 132	182 214 230 219
85 66	89 93 118 135
90 2	18 37 69 89
95 5	18 35 67 100
105 11	15 63 139 157
115 19	40 91 109 112
125 11	36 55 71 73
135 17	26 41 45 48
145 11	17 30 40 42
155 6	8 22 30 37
165 14	14 16 25 28
175 15	26 25 23 24
180 22	22 22 22 22

70% LUMEN SUMMARY

ZONE	LUMENS	LAMP	SEXT
0-20	1231	20.3	39.7
0-40	2103	33.8	47.1
0-60	2474	36.1	72.8
0-90	4144	55.0	92.8
90-120	232	3.4	4.7
90-150	289	4.1	5.8
90-180	306	4.9	6.8
90-190	322	5.1	7.2
0-180	4467	70.8	100.0

TOTAL LUMINAIRE EFFICIENCY = 70.2 %
TOTAL REFLECTANCE OF PRINT = 90.7 %
CIE TYPE = DIRFCO
LATERAL PLANE : 0-DEG 90-DEG
SPACING CRITERIA : 1, 2, 3, 4
SPREADING ANGLES : 90 90

THIS REPORT IS BASED ON PUBLISHED INDUSTRY PROCEDURES. FIELD PERFORMANCE MAY DIFFER FROM LABORATORY PERFORMANCE.

coefficients of utilization — zonal cavity method

	RF	20			50			80		
	RC	20			50			80		
	RW	70	50	30	50	30	10	50	30	10
room cavity ratio	1	77	74	71	68	66	64	64	63	61
	2	71	66	61	60	57	54	57	55	53
	3	65	59	53	54	50	47	52	48	46
	4	60	52	47	49	44	41	47	43	40
	5	55	47	41	44	39	35	42	38	34
	6	51	42	36	39	35	31	38	34	30
	7	47	38	32	36	31	27	34	30	27
	8	43	34	28	32	27	24	31	26	23
	9	40	31	25	29	24	21	28	23	20
	10	37	28	22	26	21	18	25	21	18

visual comfort probability (VCP) average 100 fc; reflectances 80/50/20

room size	ceiling height				ceiling height					
	W	L	8.5	10.0	13.0	16.0	8.5	10.0	13.0	16.0
20	20	20	61	65	72	77	60	65	71	78
20	30	30	54	58	63	69	53	57	63	69
20	40	40	51	53	58	62	50	53	58	62
20	60	60	47	50	53	57	46	50	53	57
30	20	20	62	66	71	76	61	65	71	76
30	30	30	55	58	62	66	54	57	61	66
30	40	40	51	53	56	60	50	53	56	60
30	60	60	48	50	51	54	46	49	51	55
30	80	80	46	48	48	51	44	47	48	52
40	20	20	63	67	71	76	63	67	72	76
40	30	30	56	59	62	66	56	59	62	66
40	40	40	52	54	56	59	51	53	56	59
40	60	60	49	50	51	54	47	49	51	54
40	80	80	47	48	48	51	45	47	48	51
40	100	100	47	47	46	49	44	46	46	49
60	30	30	58	60	63	67	57	60	63	67
60	40	40	53	55	57	60	53	55	56	59
60	60	60	50	51	51	54	48	50	51	54
60	80	80	48	48	48	50	46	47	48	50
60	100	100	47	47	46	48	44	46	46	48
100	40	40	57	58	59	62	56	58	59	62
100	60	60	53	53	53	56	51	53	53	55
100	80	80	50	51	50	52	48	50	49	51
100	100	100	49	49	48	49	47	48	47	49

Ordering Information Explanation of Catalog Number. Example: WA4A232120SOGLR

WA		A	2				
DOMINAIRE II: Surface Wrap Fluorescent With White Body	FIXTURE LENGTH: 4=4' Length 8=8' Length	FIXTURE WIDTH: A=9" Wide	LAMP QUANTITY For 4' Fixtures, 2 Lamps For 8' Fixtures, 2 Lamps in Tandem	LAMP 32 =T8, 4' Length 34 =T12, 4' Length	VOLTAGE: 120 or 277	BALLAST TYPE: 1 & 2 Lamp Mag. T12 1 & 2 Lamp Elec. T8 1-4 Lamp Elec. T8 (8' Unit Only) LOL T8 Dimming *Instant Start Standard	OPTIONS: Add appropriate suffix to catalog no., ie: (GLR) LE <10THD SO* H1* O4* H4* PS

Options/Accessories

CANOPY SPACER: Spacer suspends fixture approximately 1 1/2" from surface.
Order Catalog Number: **AC1 CSP**.

STEM AND CANOPY SETS: Suspends fixture 6", 12", 18" or 24" from surface.
Order Catalog Number: **ASC6 CSP** (6"), **ASC12 CSP** (12"), **ASC18 CSP** (18"),
ASC24 CSP (24").

When stem mounting two or four lamp fixtures in continuous rows, units must be coupled with nuts and bolts (by others) at end of fixture. Stem and canopy sets not recommended for three lamp fixtures. Other lengths are available.
Consult factory.

ELECTRICAL/WIRING OPTIONS: Consult factory.

FUSING: Internal fast-blow fusing. SUFFIX: **GLR**.

Internal slow-blow fusing. SUFFIX: **GMF**.

Specifications

PERFORMANCE: In an installation of 2 lamp 32W luminaires in a room cavity ratio of 1, with reflectance of 80% ceiling, 50% wall, 20% floor, the C.U. shall not be less than .74. To reduce glare the VCP shall be not less than 48 either lengthwise or crosswise (at 100fc level) and the average brightness at 65° shall not exceed 683 footlamberts. To prevent veiling reflections, luminaire output in the 30°-90° zone shall not be less than 64.1%.

Specifications (continued)

MATERIALS: Chassis parts are die-formed code gauge cold rolled steel.

FINISH: Chassis exterior—white baked polyester enamel. Cavity—white baked polyester enamel minimum 86% reflectance. Phosphate undercoating.

LENS: One-piece extruded virgin acrylic prismatic bottom and side walls.

END CAPS: Injection molded catadioptric end caps separate from lens.

ELECTRICAL: Thermally protected class "P" ballast C.B.M. approved, non PCB. If K.O. is within 3" of ballast, use wire suitable for at least 90°.

LABELS: I.B.E.W. UL and ULc Listed.

Job Information

Type:

Lightolier a Genlyte Thomas Company

www.lightolier.com

Technical Information: (978) 657-7600 • Fax (978) 658-0595

631 Airport Road, Fall River, MA 02720 • (508) 679-8131 • Fax (508) 674-4710

We reserve the right to change details of design, materials and finish.

© 2002 Genlyte Thomas Group LLC (Lightolier Division)

A0902

Section 3A/Folio H90-12 Rev. B

LIGHTOLIER®